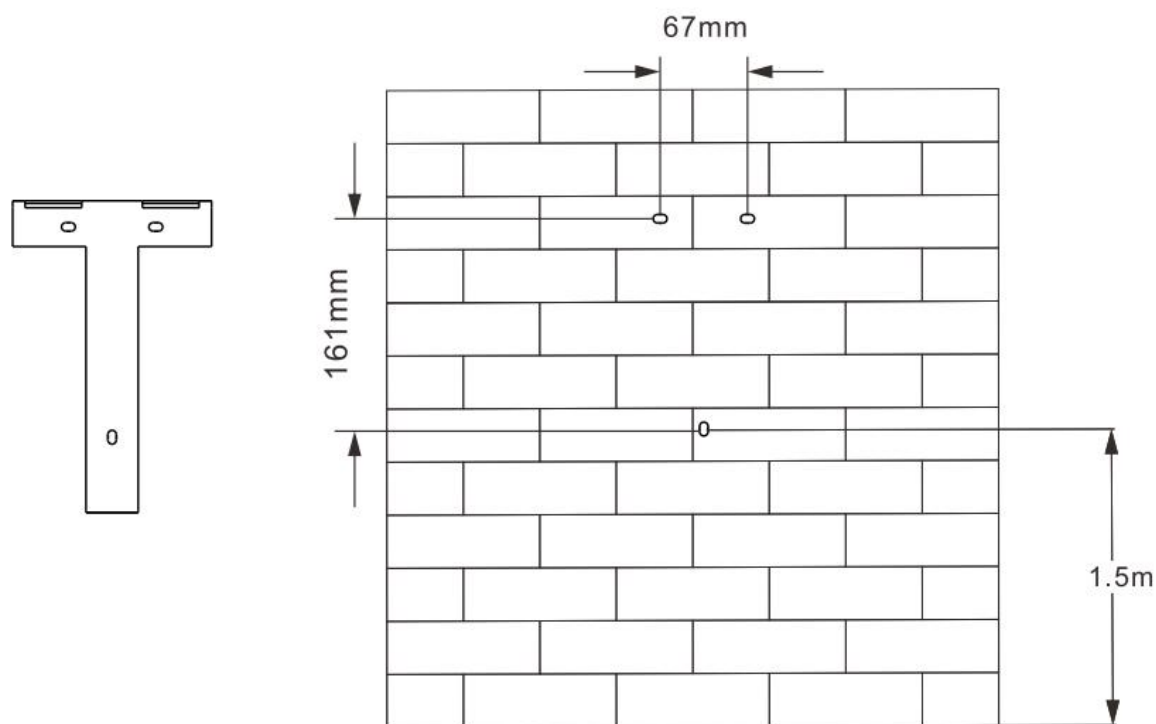


# 交流充电桩安装说明

## AC EV Charger Installation Instruction



无需打开产品面盖。

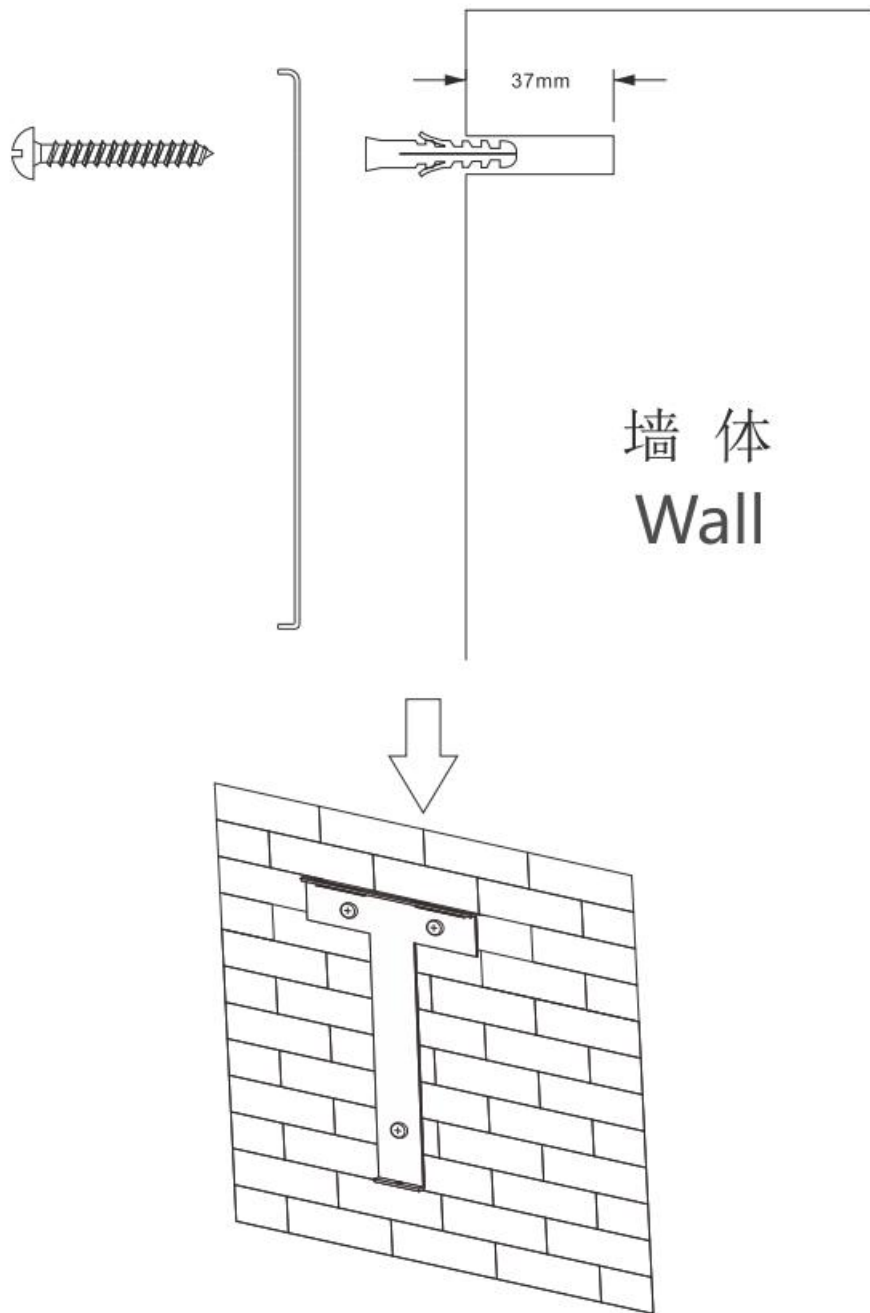
**No need to open the product cover.**

步骤一：

根据安装面板，在墙面离地1.5米处标记三个打孔点。

Step 1:

According to the installation panel, mark three punch points on the wall 1.5 meters above the ground.

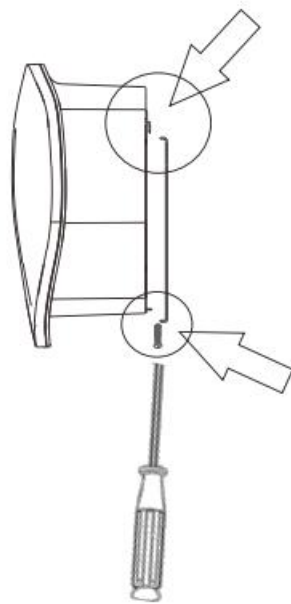
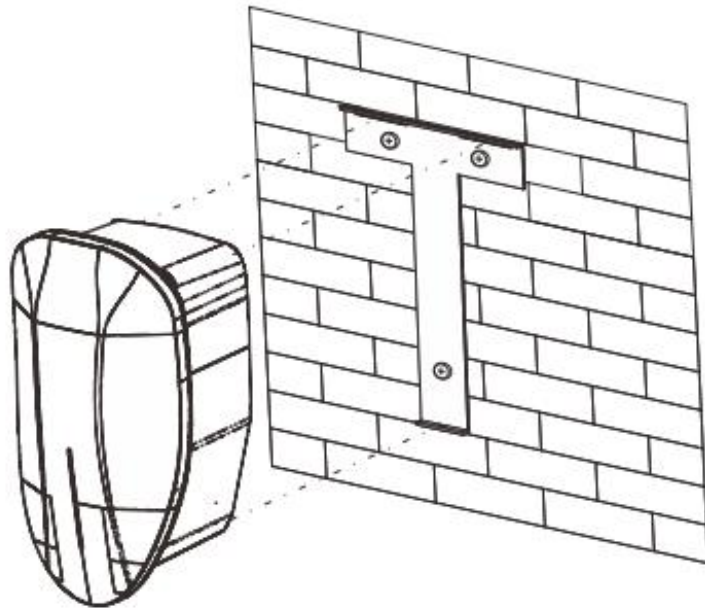


**步骤二：**

在标记的三个打孔点，用电钻钻三个孔径为6mm，深度约为38mm的孔。并用膨胀螺丝将安装面板固定在墙上。

**Step Two:**

At the three drilling points marked, drill three holes with a diameter of 6mm and a depth of about 38mm with an electric drill. Attach the mounting panel to the wall with expansion screws.



**步骤五:**

将产品背部上端的卡扣插入安装面板顶端的卡扣槽内，对齐产品背部底端与安装面板底端的螺孔，并用螺丝固定，安装即可完成。

**Step five:**

Insert the buckle at the top of the product back into the buckle slot at the top of the installation panel, align the bottom of the product back with the screw holes at the bottom of the installation panel, and secure with screws..

The installation is complete!